

SONY.

Car Stereo
Service Bulletin

CSA-14

Sony Service Company - Technical Services
A Division of Sony Electronics Inc.
Sony Drive, Park Ridge, New Jersey 07656

Model: CDX-4040/5040/5080/5180/6020/7520
7540/7560/7580/R77/R79/U8000;
EXCD-40

No. 334

Subject: Skipping When Outer Tracks Are Played.

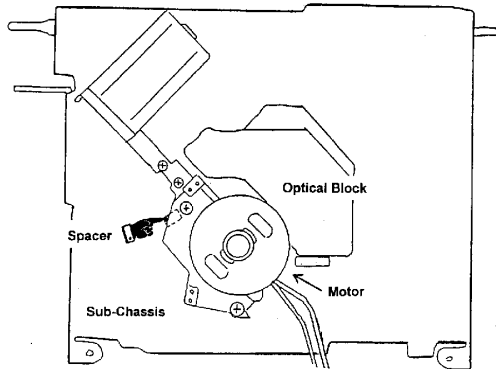
Date: August 17, 1994

Symptom:
(57)

The customer may complain that skipping occurs when outer tracks of discs are played. This may occur if the mechanism sub-chassis is bent, which makes it more difficult to maintain proper focus at the outer portions of discs.

Solution: If the customer complains of this problem, add a spacer to the sub-chassis as shown below.

REF	DESCRIPTION	PART NUMBER
-	SPACER	2-626-870-21



Reference: Technical News ME-94002
Autoflagged - NO

PRINTED IN USA